

Features:

- Parallel redundancy design for power expansion
- Multiple industrial applications that create 1Φ3 ω / 3Φ4 ω power systems
- Automatic master mechanism to eliminate single point failure and optimize reliability
- Built-in ATS and AC circuit breaker
- Optional STS module, transfer time less 4ms.
- RS-232 communication
- Input & output fully isolation
- Output voltage / power saving mode selectable by DIP switch and remote control (CR-10)
- Input Protection: Reverse Polarity (Fuse) / Under Voltage / Over Voltage
- Output Protection: Short Circuit / Overload / Over Temperature / Over Voltage

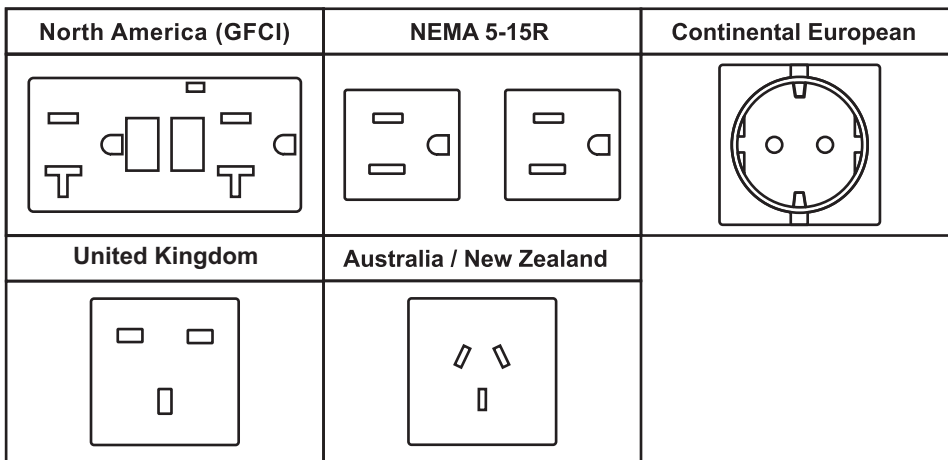


MODEL		SD2500-112	SD2500-124	SD2500-148	SD2500-212	SD2500-224	SD2500-248
Output	Rating Power	2500W (de-rating after 40°C, refer to de-rating curve)					
	Peak Power (3Sec.)	3000W					
	Surge Power (<0.2Sec.)	4000W					
	Waveform	Pure Sine Wave					
	Efficiency (Max.)	88%	89%	90%	88%	88%	90%
	Output Voltage (@rated VDC)	100 / 110 / 115 / 120VAC ±3%			200 / 220 / 230 / 240VAC ±3%		
	Output Frequency	50 / 60Hz ±0.1%					
Total Harmonic Distortion (THD)	< 3% (@rated / VDC, linear load)						
DC Input	DC Voltage	12VDC	24VDC	48VDC	12VDC	24VDC	48VDC
	Voltage Range	10.0~16.0VDC	20.0~32.0VDC	40.0~64.0VDC	10.0~16.0VDC	20.0~32.0VDC	40.0~64.0VDC
	No load Power Consumption	@12VDC	@24VDC	@48VDC	@12VDC	@24VDC	@48VDC
	On Mode @ Save Mode	0.9A	0.35A	0.3A	1.1A	0.7A	0.4A
	On Mode @ No Load Mode	< 2.9A	< 1.4A	< 0.8A	< 3.6A	< 1.8A	< 1A
Fuse	40Ax9	20Ax9	10Ax9	40Ax9	20Ax9	10Ax9	
AC Input	AC Range	100 / 110 / 115 / 120VAC±12.5%			200 / 220 / 230 / 240VAC±12.5%		
	Frequency Selectable	50 / 60 Hz					
	Synchronous Frequency	47 -57 / 53 - 63 Hz					
	Circuit Breaker	16A			16A		
Transfer Switch	Standard ATS : Inverter to utility AC:8~10ms.; Utility AC to inverter: 16~50ms. Optional STS mode : <4ms						
Protection	BAT.Low Alarm	10.5VDC	21.0VDC	42.0VDC	10.5VDC	21.0VDC	42.0VDC
	BAT.Low Shut-down	10.0VDC	20.0VDC	40.0VDC	10.0VDC	20.0VDC	40.0VDC
	BAT.Low Restart	12.5VDC	25.0VDC	50.0VDC	12.5VDC	25.0VDC	50.0VDC
	BAT.High Alarm	15.5VDC	31.0VDC	62.0VDC	15.5VDC	31.0VDC	62.0VDC
	BAT.High Shut-down	16.0VDC	32.0VDC	64.0VDC	16.0VDC	32.0VDC	64.0VDC
	BAT.High Restart	15.0VDC	30.0VDC	60.0VDC	15.0VDC	30.0VDC	60.0VDC
	Input Protection	Reverse Polarity (Fuse) / Under Voltage / Over Voltage Protection / AC over current (Breaker)					
Output Protection	Short Circuit / Overload / Over Temperature / Over Voltage						
Environment	Working Temp.	-20 ~ +60°C; refer SD2500 power de-rating curve					
	Storage Temp.	-40 ~ +70°C					
	Relative Humidity	Max. 90%, non-condensing					
Safety & EMC	Safety Standards	Meet UL 458			Certified EN60950-1		
	EMC Standards	Certified FCC Class B			Certified EN 55014, EN 61000-3-2, EN 61000-3-3 EN 61000-4-2, 3, 4, 5, 6, 11		
Control & Signal	LED Indicator	Input voltage level, output load level and faulty status					
	Remote control	CR-6, CR-8 and CR-10					
Others	Dimension (WxHxD)	283x128.4x436 mm / 11.146x5.056x17.165 inch					
	Weight	8 kg					
	Cooling	Load & Thermal control fan					
	Communication Port	RS-232 (RJ-11 type connector), Ethernet (optional)					

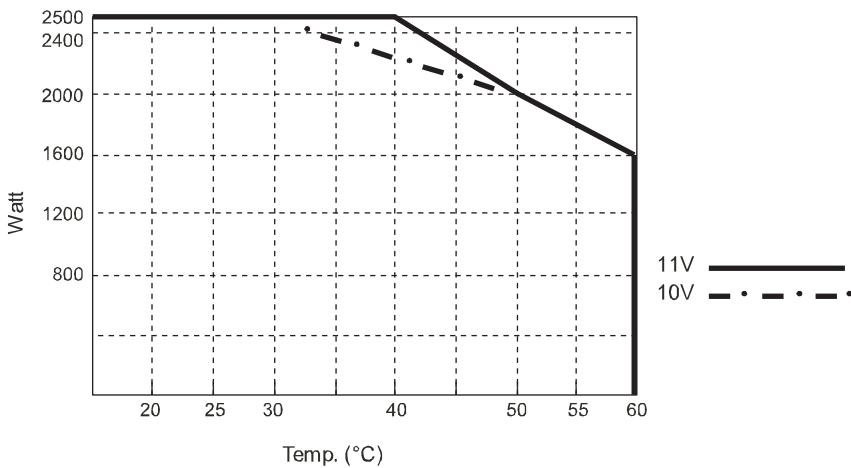
LED Status:

Status	LED Signal
Power on	— — —
Normal	—————
Saving mode	— — — — —
O/P overload (100%~115%)	—————
O/P short circuit	—————
Over temperature	— — — — —
Shut down high battery	— — — — —
High battery	— — — — —
Low battery	— — — — —
Shut down low battery	— — — — —
Fan failure	— — — — —
AC input	— — — — —

Output Socket:



De-rating Curve:



Mechanical Drawings:

Unit : mm [inch]

